

NATURE RAIN



PULSE

SHOWERSPAS

NatureRain Combo ShowerSpa
Model #1038-CH
Owner's Manual



NatureRain Combo ShowerSpa 1038-CH

**Please Read The Following Instructions
COMPLETELY Before Beginning!**

Our goal is to ensure your installation goes smoothly and safely. Please read these instructions carefully and follow recommendations for plumbing and mounting. **After reading instructions, if you determine you do not have the necessary skills and/or tools, we recommend that a licensed plumbing contractor complete the installation.**

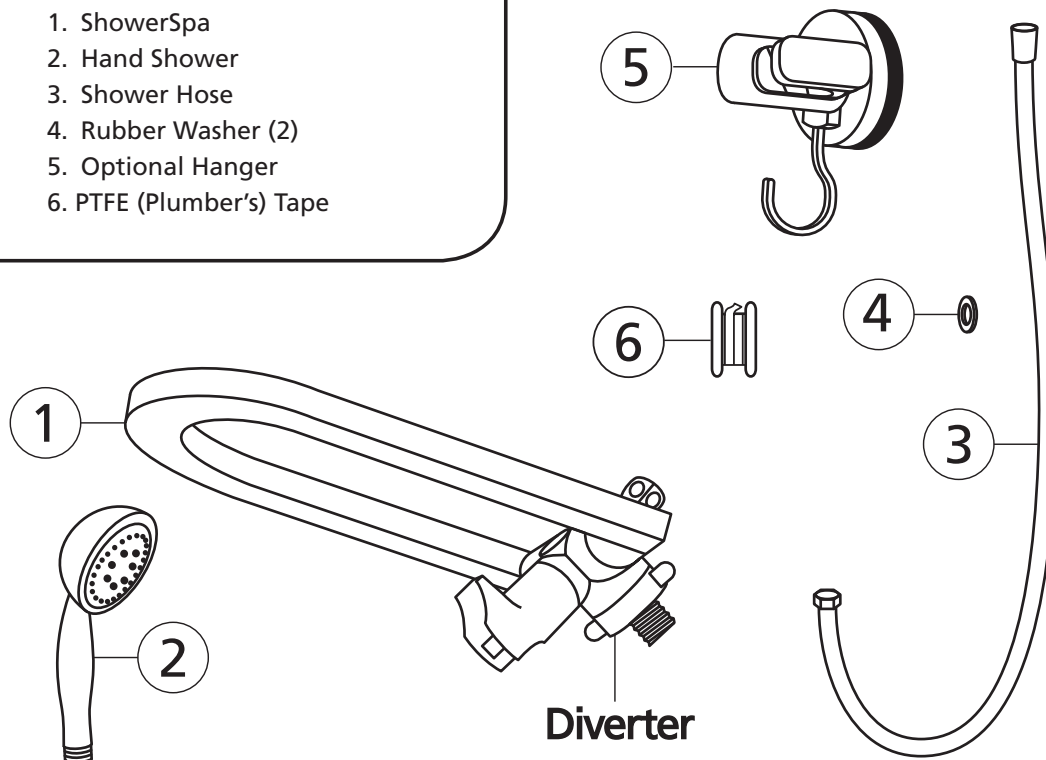
***If you encounter any problems during installation
CALL TECHNICAL SUPPORT
TOLL FREE at 888-785-7320
Before returning your ShowerSpa to the store***

You Will Need The Following Tools

Adjustable wrench (not included)

Parts Legend

1. ShowerSpa
2. Hand Shower
3. Shower Hose
4. Rubber Washer (2)
5. Optional Hanger
6. PTFE (Plumber's) Tape



Installation

1. Remove your existing showerhead (use wrench if needed).
2. Apply a generous amount of PTFE (plumber's) tape (6) to shower arm threads.
3. Attach ShowerSpa (1) to your existing shower arm until it is snug, using wrench if needed. DO NOT OVERTIGHTEN.
4. Insert a rubber washer into each end of the shower hose (3).
5. Attach the hex end of the shower hose (3) to the male threads on the bottom of the ShowerSpa (1).
6. Attach the tapered end of the shower hose (3) to the hand shower (2).
7. Insert hand shower (2) into the holder on the ShowerSpa (1).
8. Turn on your water supply to check for leaks. If there are any leaks, turn off water supply and tighten the connection 1/8 – 1/4 turn. Repeat if necessary.

You are now ready to enjoy your PULSE NatureRain Combo ShowerSpa!

Usage

Diverter/Combo Functions

The Diverter is located on the bottom of the ShowerSpa, just above where the shower hose connects (See Parts Diagram). The diverter switches from the rain showerhead to the hand shower. You simply turn the diverter by pressing on the "wings" until it stops to change functions. The NatureRain Combo ShowerSpa allows for the rain showerhead and the hand shower to work independently or in tandem. Position the diverter between stops to enjoy both functions simultaneously. This diverter allows for 11 different showering combinations, giving you ultimate control of your showering options.

Rain Showerhead

The rain showerhead has a unique crescent shape. This allows you to soak yourself in a soothing rain shower while still being able to get your face out of direct contact as needed. Use the rain showerhead alone, or with a half turn of the diverter, in tandem with any of the five hand shower functions.

Hand Shower

The hand shower has five different functions that give you ultimate control of your shower experience. There is a wide spray, concentrated spray and pulsating massage as well as two combination functions that mix either the pulsating massage or concentrated spray with the wide spray. You can use the hand shower in place or remove it from the holder to reach any part of your body. The hand shower can be utilized in place either on it's own or in combination with the rain showerhead.

Optional Hand Shower Hanger

Included is an Optional Hand Shower Hanger (5) that attaches to wall with a suction cup (may not be suitable for all surfaces). Position on wall so marks on escutcheon are horizontal. Apply pressure to the post while rotating clockwise until it stops (hook should be vertical). Hanger must be periodically reset to maintain suction (1–2 months).

Manufacturer's Limited Warranty

PULSE Shower Spas, Inc. warrants that all ShowerSpas are free from defect in workmanship and/or materials for a period of three years from the date of purchase. This warranty extends to the original purchaser only and is non-transferable.

This warranty does not cover, and PULSE ShowerSpas will not pay for any conditions, malfunctions or damages resulting from (1) normal wear and tear, improper installation (whether performed by a contractor, a service company or the consumer), improper maintenance, misuse, abuse, negligence, accident or alteration; (2) the use of abrasive, caustic or "no-rinse" cleaning agents; (3) the use of the product in any manner contrary to the product instruction; (4) any condition in the home such as excessive water pressure or corrosion.

Should any ShowerSpa be determined by PULSE ShowerSpas, Inc. to be defective in normal residential use, at the option of PULSE ShowerSpas, Inc., such product shall either be replaced or repaired and returned to the customer free of defects. The consumer shall give notice of any defects to PULSE ShowerSpas, Inc. within thirty days of discovery of such defect.

Proof of purchase (original sales receipt) must be provided to PULSE ShowerSpas, Inc. with all warranty claims.

PULSE ShowerSpas, Inc. is not responsible for any labor charges, removal charges, installation or other consequential costs. In no event shall the liability of PULSE ShowerSpas, Inc. exceed the purchase price of the ShowerSpa.

Some states/provinces do not allow limitations of how long an implied warranty lasts or the exclusion or limitation of such damages, so these limitations and exclusions may not apply to you. This warranty gives the consumer specific legal rights. You may also have other rights that vary by state/province.

Follow manufacturers recommended installation. Use caution with children under ten years of age. Do not use ShowerSpa as a support device. Do not use harsh chemicals or abrasives when cleaning. Turn water supply off when servicing your ShowerSpa.